

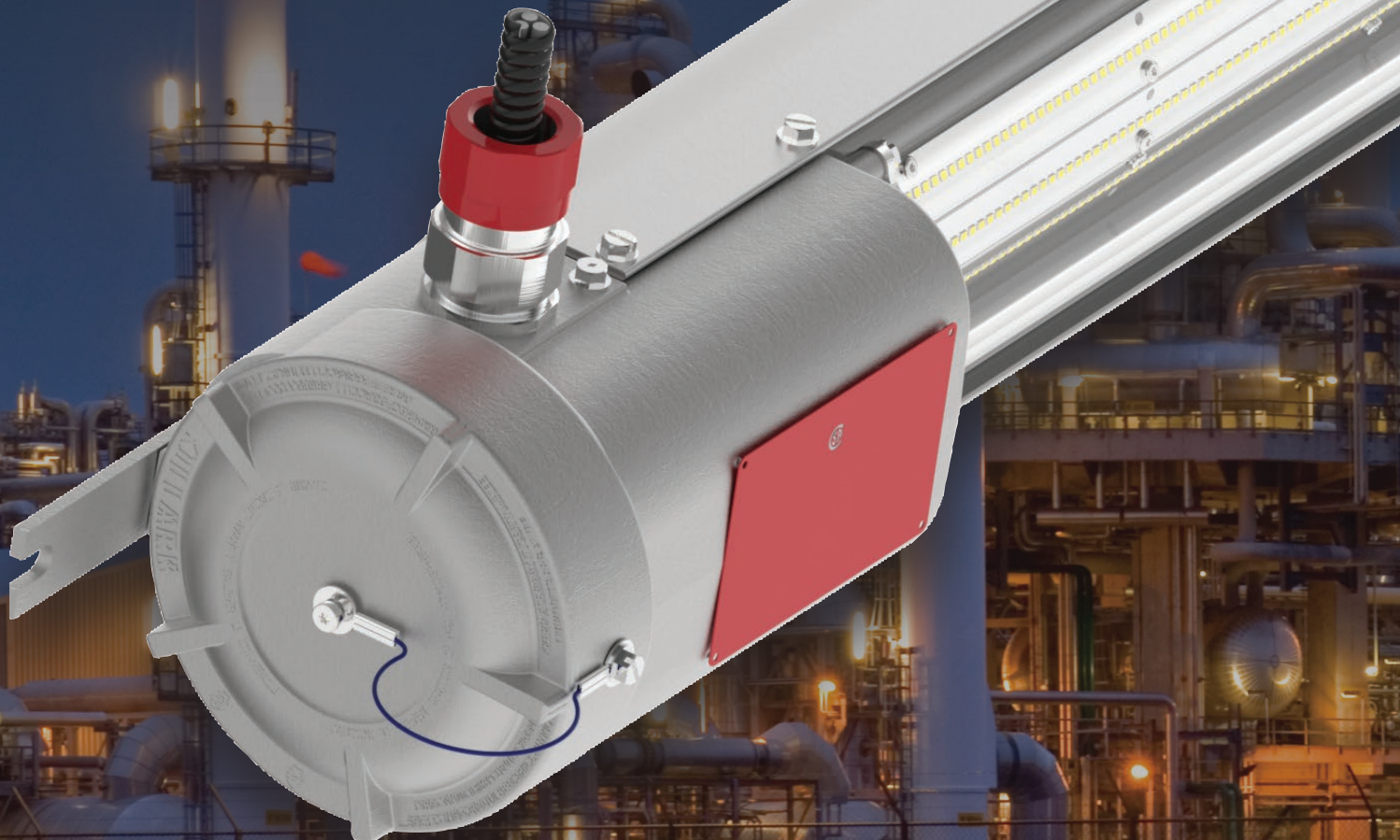


Harsh & Hazardous

KILLARK®

L1L Series LED Luminaire

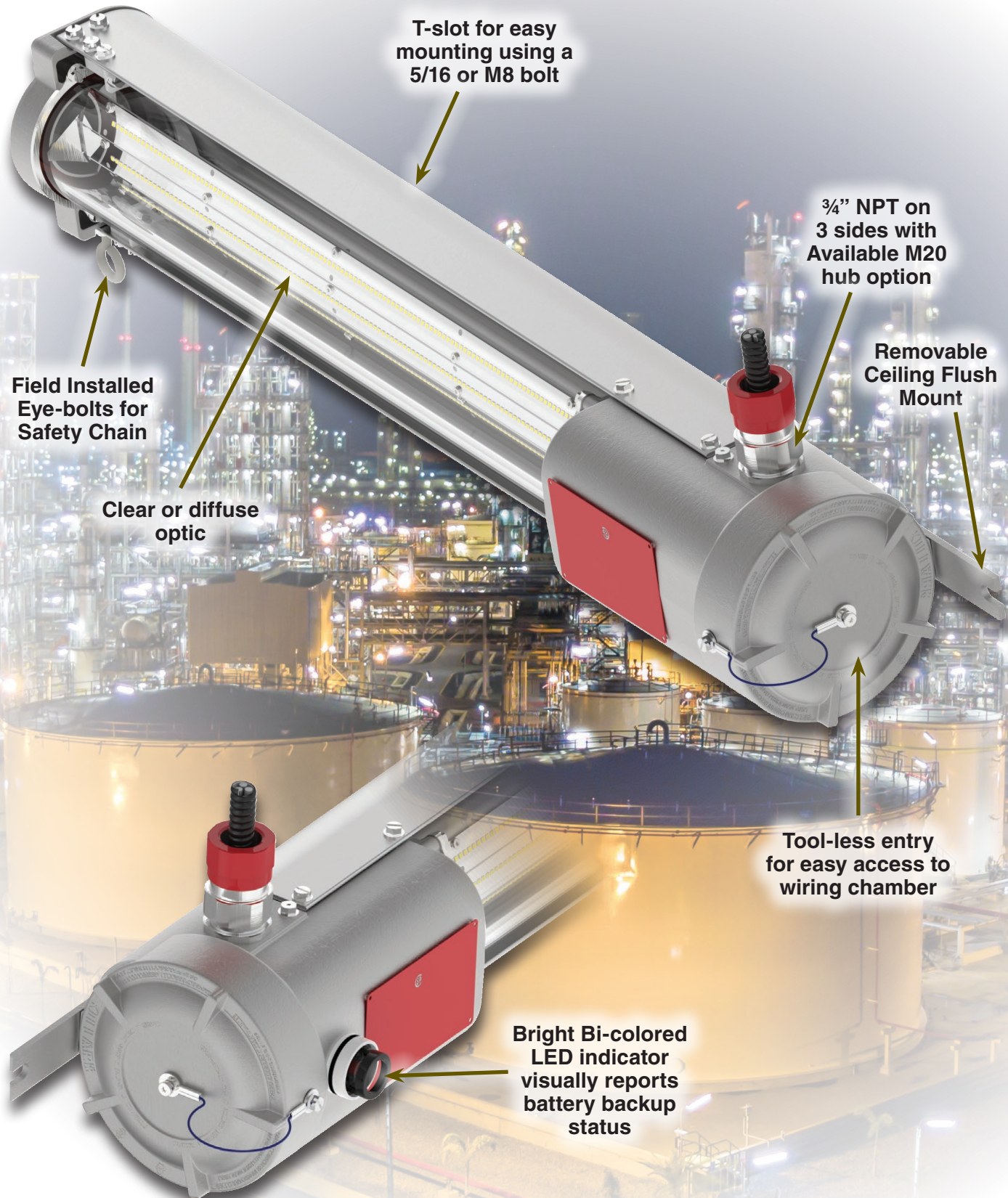
for Harsh and Hazardous Environments





L1L SERIES

KILLARK



T-slot for easy mounting using a 5/16 or M8 bolt

3/4" NPT on 3 sides with Available M20 hub option

Removable Ceiling Flush Mount

Field Installed Eye-bolts for Safety Chain

Clear or diffuse optic

Tool-less entry for easy access to wiring chamber

Bright Bi-colored LED indicator visually reports battery backup status



LED FIXTURES



Class I, Div. 1 & 2, Groups B, C, D
 Class I, Zones 1 & 2, Groups IIB, IIA
 Class II, Div. 1 & 2, Groups E, F, G
 Class III, Div. 1 & 2
 IP66
 Suitable for wet locations
 Suitable for paint spray booths



FEATURES-SPECIFICATIONS

LINEAR^{LITE}® *

* marca registrada MEXICO

Applications

- Paint Spray Booths
- Chemical Facilities
- Waste Water Facilities
- Pipeline Pump Stations
- Ammunition Facilities
- Paint Manufacturing Plants
- Oil & Gas Refineries
- Fuel Transfer Facilities

LED Features

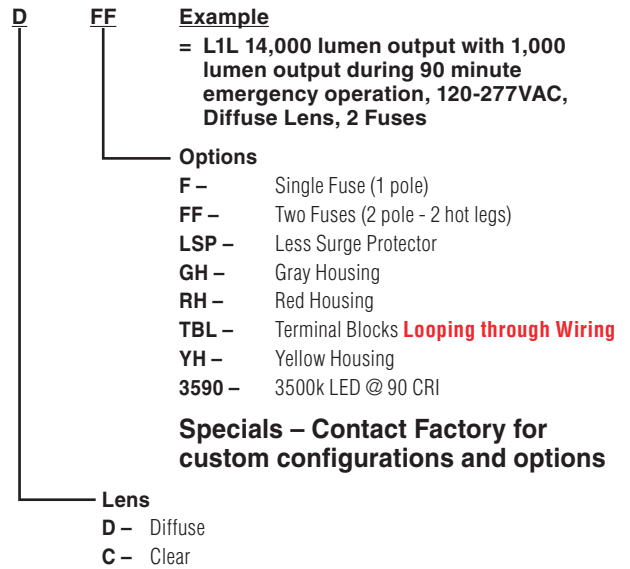
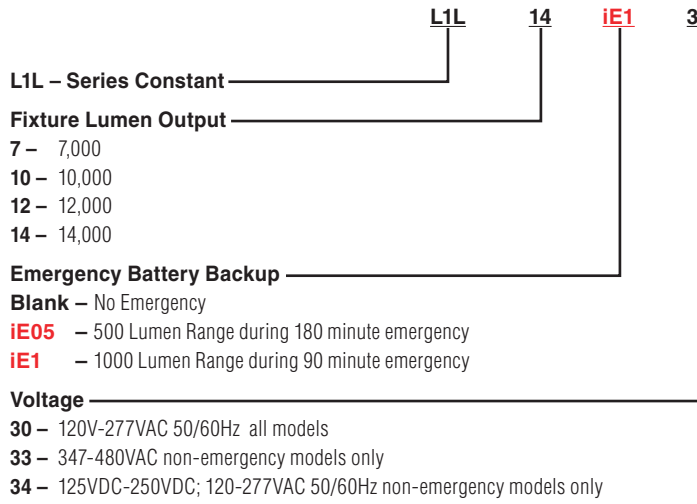
- Industry-Leading efficacy: up to 153 LPW
- Corrosion resistant copper-free housing
- Standard 5000K CCT @ 70 CRI minimum
- Option 3500K CCT @ 90 CRI minimum
- 20kV / 10kA surge protection on standard fixture
- T-slot mounting for the ultimate in easy mounting
- Self-testing and self-diagnostics on battery backup fixtures
- Angled LED boards for wider mounting distances
- Terminal blocks standard
- Low Profile
- Tool-less access to wiring chamber
- Diffuser option available
- 5 year fixture warranty

LED VS FLUORESCENT WATTAGE & DELIVERED LUMENS

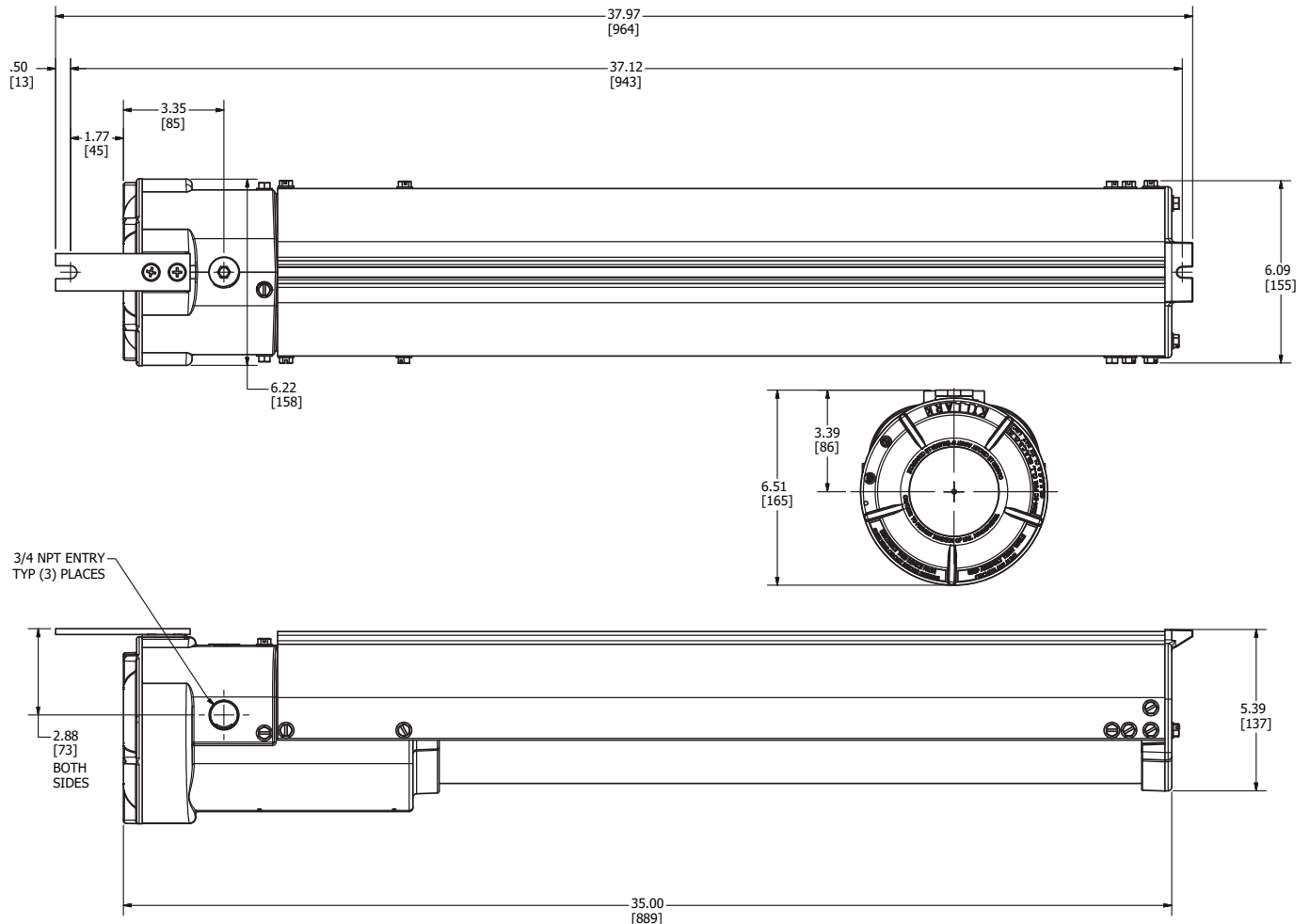
LED PART NUMBER	LED			FLUORESCENT			
	LED WATT	LUMENS	L/W	LAMP WATTAGE	NUMBER AND STYLE OF LAMP	LUMENS	L/W
L1L730C	46.5	7,147	154	55W	1x55W B1AX	4,788	87
				56W	2x28 T5	3,878	60.2
				64W	2x32 T8	3,734	58.3
				80W	2x40W B1AX	6,300	78.8
				108W	2x54 T5HO	6,551	60.7
L1L1030C	68.5	10,190	149	162W	3x54 T5HO	9,826	60.7
L1L1230C	80.4	11,500	143	160W	4X40W B1AX	12,600	78.8
				180W	3x60 T12HO	11,202	62.2
L1L1430C	91.8	13,800	148	216W	4x54 T5HO	12,930	59.9
				240W	4x60 T12HO	14,936	62.2



CATALOG LOGIC



DIMENSIONS





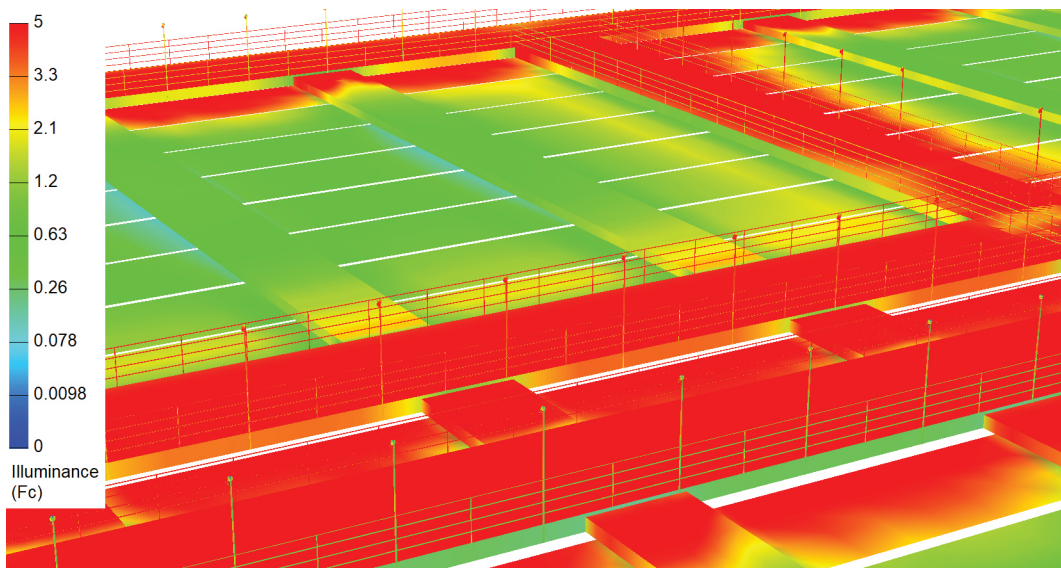
HIGH WATTAGE SELF-TESTING EMERGENCY

Electronics Includes:

- Self-diagnostics monitors LED status, LED driver circuit, battery capacity and charger function and displays any fault detection by means of a flashing code
- Self-Test feature automatically runs a 1 minute test once a month and an alternating 30-60 minute test once every 6 months. LED indicator provides visible fault detection and charging status
- 15 minute re-transfer delay
- Automatic unit transfer in brown-out conditions (below 80% of nominal AC input voltage)

INDICATOR STATUS SIGNAL	DESCRIPTION OF STATUS SIGNAL
0.5s ON and 0.5s OFF	Battery disconnected
2.5s ON and 2.5s OFF	LED load disconnected
4.5s ON and 0.5s OFF	Driver in self-diagnostic mode
1.5s ON and 3.5s OFF	Battery needs to be replaced
0.5s ON and 4.5s OFF	Damaged driver. Replace
ON	Normal/Charging
OFF (LED Load ON)	Discharging / Emergency Operation

LED EMERGENCY LIGHTING DESIGN



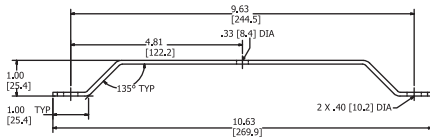


ORDERING INFORMATION

ORDERING INFORMATION AND AMBIENT SUITABILITY						C1D1		C2D1	
CATALOG NUMBER	WEIGHT LBS./KG	WATTS	VOLTAGE	AMPS	DELIVERED LUMENS CLEAR/DIFFUSE	40°C	55°C	40°C	55°C
L1L730D	26/11.8	46	120-277	0.4-0.2	7,147 / 5,598	T6	T6	T6	T5
L1L7E0530D	28/12.7								
L1L7E130D	26/11.8		0.13-0.10						
L1L734D	26/11.8		0.4-0.2						
L1L1030D	26/11.8	75	120-277	0.6-0.3	10,109 / 7,926	T6	T6	T6	T5
L1L10E0530D	28/12.7								
L1L10E130D	26/11.8		0.22-0.16						
L1L1034D	26/11.8		0.7-0.3						
L1L1230D	26/11.8	88	120-277	0.7-0.3	11,500 / 8,919	T6	T6	T6	T5
L1L12E0530D	28/12.7	80							
L1L12E130D	26/11.8	88		0.3-0.2					
L1L1234D	26/11.8	88		0.8-0.4					
L1L1430D	26/11.8	93	120-277	0.8-0.3	13,800 / 10,649	T6	-	T6	-
L1L14E0530D	28/12.7								
L1L14E130D	26/11.8		0.3-0.2						
L1L1434D	26/11.8		0.9-0.4						

ACCESSORIES

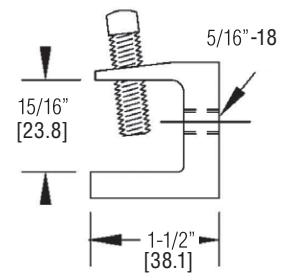
Ceiling Bracket Set
Part Number LZCB
Stainless Steel (natural finish)



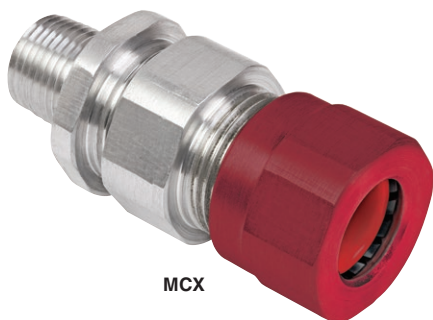
VMSC10 Safety Cable



LAL-BC Beam Clamp



CABLE GLAND ORDERING OPTIONS



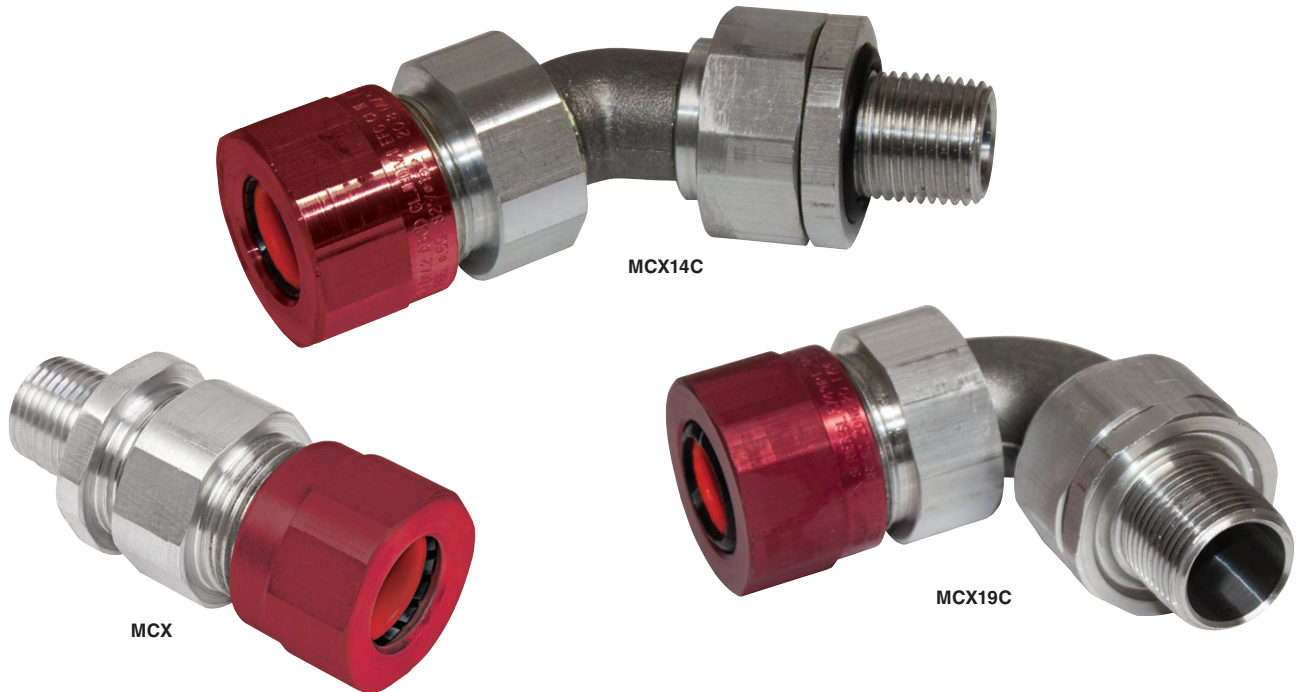
MCX

CATALOG NUMBER	ENTRY THREAD SIZE (NPT)	BEND TYPE	CABLE ACCEPTANCE DETAILS		MAX LENGTH
			MIN	MAX	
MCX1B	1/2"	Straight	0.51" (13.0)	0.63" (16.0)	2.10" (53.3)
MCX1C	1/2"		0.60" (15.2)	0.82" (20.8)	2.40" (61.0)
MCX2	3/4"		0.73" (18.5)	1.03" (26.2)	2.60" (66.0)
MCX14C	1/2"	45°	0.60" (15.2)	0.82" (20.8)	3.25" (82.6)
MCX24	3/4"		0.73" (18.5)	1.03" (26.2)	3.43" (87.1)
MCX19C	1/2"	90°	0.60" (15.2)	0.82" (20.8)	2.51" (63.8)
MCX29	3/4"		0.73" (18.5)	1.03" (26.2)	2.61" (66.3)

For entire series, please see Catalog Section F

Complementary Products from Killark

ALUMINUM CABLE CONNECTORS



For your armored and unarmored wiring installation, Killark's MCX series offers everything needed for all harsh and hazardous environments.

The MCX features the following:

- 360° armor grounding spring
- Secure barrier seal between the conductors within the cable and gland assembly
- Types 3, 4X and IP66 environmental protection
- Copper-free aluminum construction
- Red anodized back-nut to indicate Hazardous location rated product
- Compact 45°/90° glands available for optimized configurations and decreased bend radius
- -50°C to 60°C operating temperatures
- ½" to 4" NPT sizes for wide range of cable installations

SUITABLE ARMORED/METAL CLAD CABLE TYPES	
AC-	AC90, ACWU90, AC90-HL, ACWU90-HL, ACG90, ACGWU90
MC-	MCC, MCI, MCI-A, MC-HL
RA-	RA90, RA90-HL
TECK-	TECK90, TECK90-HL

HKSB-L1L 08-18 © Killark, 2018

KILLARK®

Hubbell Killark
 3940 Dr. Martin Luther King Drive • St. Louis, MO 63113
 Phone: (314) 531-0460 • Fax: (314) 531-7164
www.hubbell-killark.com

